

CHIQ

CCF500W

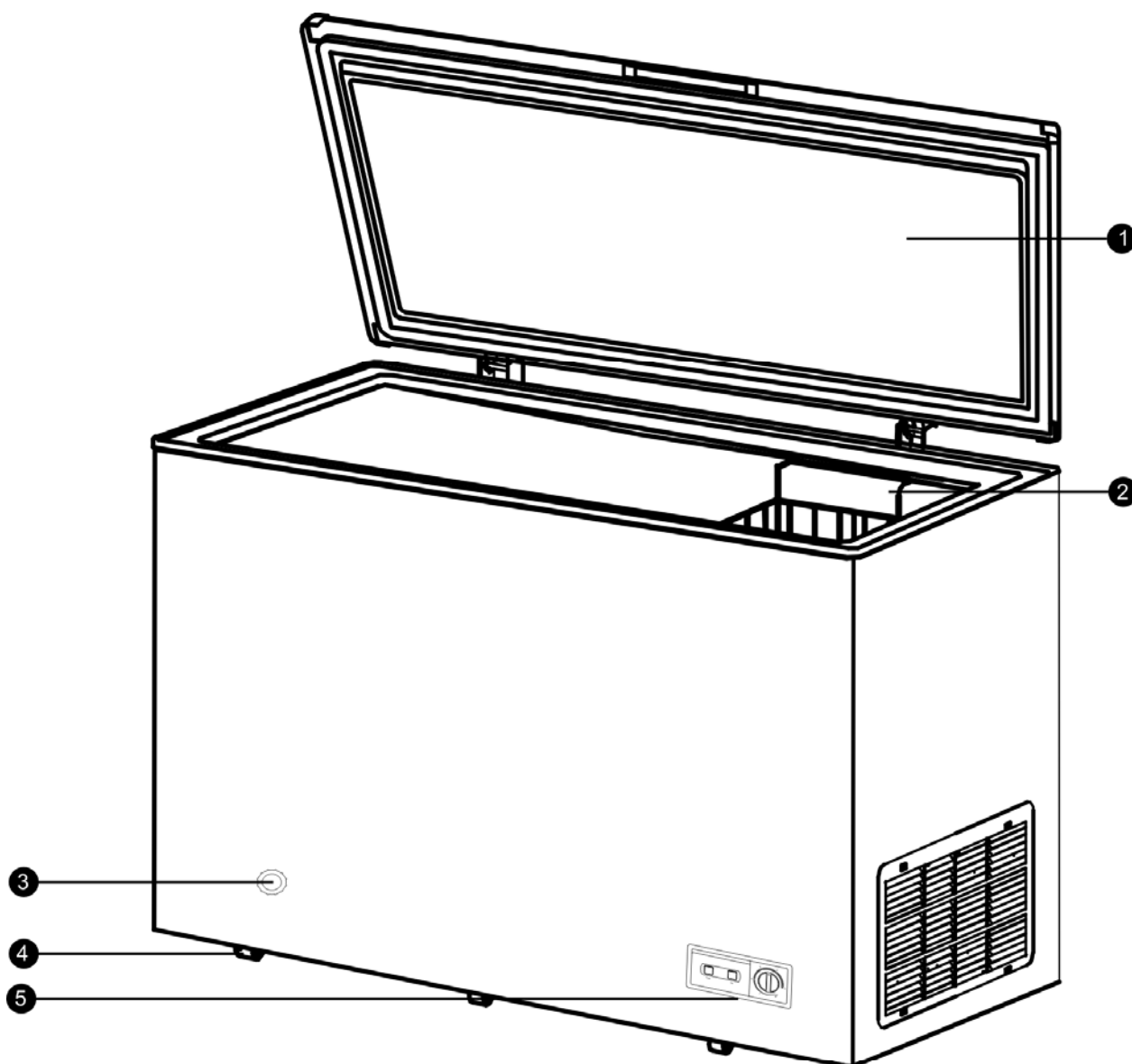
USER MANUAL

CHEST FREEZER

Keep this manual in a safe location and use it for reference.

Read this manual carefully before commencing operation of this appliance,
and comply with the Terms and Conditions.

PART NAMES AND LOCATIONS



- ① Door
- ② Basket assembly
- ③ Drain plug
- ④ Adjustable feet
- ⑤ Thermostat Control

As the manufacturer holds the authority to redesign or modify its products without notice:
Any modifications or upgrades of our products will result in this Freezer varying slightly from this manual but the functionality will remain the same to that as set out within this manual.

IMPORTANT SAFETY INSTRUCTIONS

⚡WARNING⚡

Follow these basic precautions to reduce the risk of fire, electrical shock hazards or injury when operating the Freezer:

- It is critical use this appliance safely. Read all instructions before operating the Freezer and do not attempt to repair or modify this unit in any way as it can cause harm or void the warranty.
- Please ensure all persons using this appliance are also informed and comply with the details set out within this manual and the product Terms and Conditions.
- When unpacking the appliance for the first time, keep all cardboard and plastic packaging out of reach from children and report any notable defects with the appliance to Changhong or retailer as soon as it is noted. Failure to do so can result in a non-warranty claim. Keep all packaging materials in a safe location until the unit has been properly installed.
- If the supplied power cord of this unit is damaged, it must be replaced by the manufacturer or its service agent or similarly qualified persons in order to avoid any risk of injury. It is recommended the power cord is situated in a safe location when operating or transporting the appliance to prevent any damage that may cause electrical shock or fire hazards. DO NOT unplug the appliance without switching the unit off from the outlet first or by yanking the cord.
- This appliance is intended to be used in a domestic household or similar applications such as:
 - Staff areas in shops and offices, hotels, motels and other residential type environments;
 - Catering and similar non-retail applications.
- **DANGER or WARNING: Risk of Child Entrapment.**
If discarding this unit, follow these simple precautions:
 - Remove the door/s from the unit.
 - Leave the shelves in place so that children may not easily climb inside.
 - Never allow children to operate, play with, or crawl inside the Freezer.
 - Children should be supervised near the unit at all times.
 - This appliance is not intended for use by persons (including children) with reduced physical, sensory or mental capabilities, or lack of experience and knowledge, unless they have been given supervision or instruction concerning use of the appliance by persons responsible for their safety.
 - Only dispose of this appliance at an authorized waste disposal centre.
- **DANGER or WARNING: Ventilation Hazards**
 - Never clean the Freezer or Freezer parts with flammable fluids, or store gasoline or any other flammable vapors and liquids in the vicinity of this or any other Freezer as the gas and/or vapour can cause a fire hazard, explosion or inhalation.
- **Electrical Connection**

Make certain, when installing or moving the unit that the power outlet has been connected to, has been fitted by a qualified electrician and the ground wire has been connected properly to meet the Australian Electrical Standards.

R600a WARNINGS

NOTE: This model uses R600a flammable refrigerant in its sealed system. The following must be observed for your safety:

R600a Refrigerant Warning

- This appliance contains a small quantity of R600a refrigerant which is environmentally friendly, but flammable. It does not damage the ozone layer, nor does it increase the greenhouse effect.
 - During transportation and installation, ensure that the tubing of the refrigerant circuit is not damaged.
 - Leaking refrigerant can ignite and may damage the eyes.
 - In the event any damage does occur, avoid exposure to open fires and any device which creates a spark. Disconnect the appliance from the mains power.
 - Thoroughly ventilate the room in which the appliance is located for several minutes.
 - Notify Customer Service for necessary action and advice.
 - The room for installing the appliance must be at least 1 cubic metre per 8 grams of refrigerant. The refrigerant quantity contained in this appliance is listed above in grams; it is also noted on the Rating Plate of the appliance.
- * Do not store explosive substances such as aerosol cans with a flammable propellant in this appliance.

It is hazardous for anyone other than an Authorised Service Person to carry out servicing or repairs to this appliance. In Queensland the authorized person must hold a Gas Work Authorisation for hydrocarbon refrigerants, before carrying out servicing or repairs which involve the removal of covers.

1. Keep ventilation openings, in the appliance enclosure or in the built-in structure, clear of obstruction.
2. Do not use mechanical devices or other means to accelerate the defrosting process, other than those recommended by the manufacturer.
3. Do not damage the refrigerant circuit.
4. Do not use electrical appliances inside the food storage compartments of the appliance, unless they are of the type recommended by the manufacturer.
5. Do not store explosive substances such as aerosol cans with a flammable propellant in the appliance.

Disposal

The environment and personal safety must be considered when disposing of this appliance. Please ensure the appliance is taken to a recycle center for safe recycling. DO NOT dispose of the appliance in land fill as the insulation and refrigerant gas contained in these appliances are flammable.

INSTALLATION INSTRUCTIONS

Before Using the Freezer

- Remove the exterior and interior packing.
- Before connecting the Freezer to a power source, let the unit stand upright for approximately 4 hours to mitigate the possibility of a malfunction in the cooling system from improper handling during transportation.
 - Clean the interior surface with lukewarm water using a soft cloth.

Installing the Freezer

- This appliance is designed to be free standing only, and should not be recessed or built-in.
- Place the Freezer on a **leveled/even** floor surface that is strong enough to support the weight of the Freezer when it is fully loaded to prevent vibrations and allow water to properly drain. **The feet can be adjusted to level the appliance properly.**
- The leveling feet should only be used in forward and backward motions and never side to side.
- **Allow at least 10cm of space between the back and sides of the Freezer to allow proper air ventilation.** Adjust the two front feet to keep the Freezer leveled or elevated.
- Situate the Freezer away from direct sunlight and sources of direct heat (stove, heater, radiator, etc.). Direct sunlight may also affect the acrylic coating and heat sources may cause an increase electrical consumption. Ambient temperature below 50°F or above 85°F will hinder the performance of this appliance.
- This unit is not designed for outside installation.
- Avoid situating the Freezer in moist OR **pest infestation** areas.
- Plug the Freezer into dedicated, properly installed-grounded wall outlet. Do not under any circumstances cut or remove the third (ground) prong from the power cord. Any questions concerning power and/or grounding should be directed toward a certified electrician or an authorized service center.
- After plugging the appliance into a wall outlet, turn the unit on and allow the unit to cool down for 2~3 hours before placing food in the Freezer or freezer compartment.
- Do not place items on the top of this appliance.

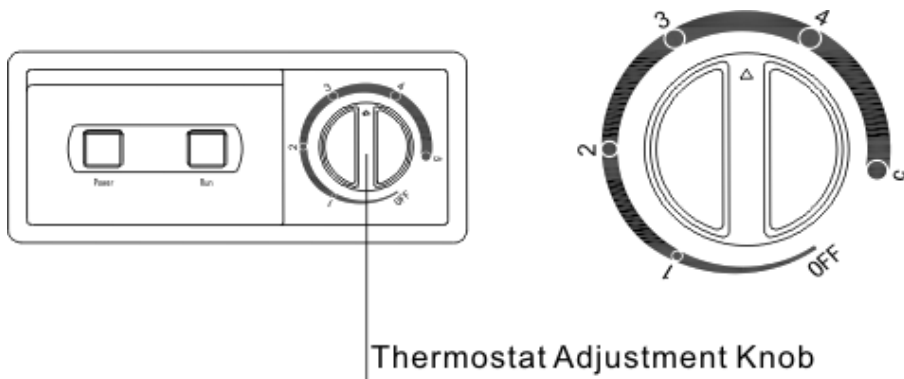
ENERGY SAVING TIPS

- Allow hot foods to cool to room temperature before placing in the Freezer. Overloading the Freezer forces the compressor to work harder. Foods that freeze too slowly may lose quality, or spoil.
- Do not adjust the temperatures colder than necessary.
- Be sure to wrap foods properly, and wipe containers dry before placing them in the Freezer. This cuts down on frost build-up inside the Freezer.
- Organize and label food to reduce door openings and extended searches. Remove as many items as needed at one time, and close the door as soon as possible.
- Refrain from leaving the door/s open for a long time to conserve energy.

OPERATING INSTRUCTIONS

TEMPERATURE CONTROLS

- The Freezer has temperature controllers on the bottom right hand side.



The temperature of the freezer is adjusted by turning the knob assembled on the thermostat. **The bigger number mean colder setting, the position “5” is the coldest setting for the freezer.**

It can be set on **3** for normal operation. But it can be adjusted to the setting that best suits your needs.

Notes

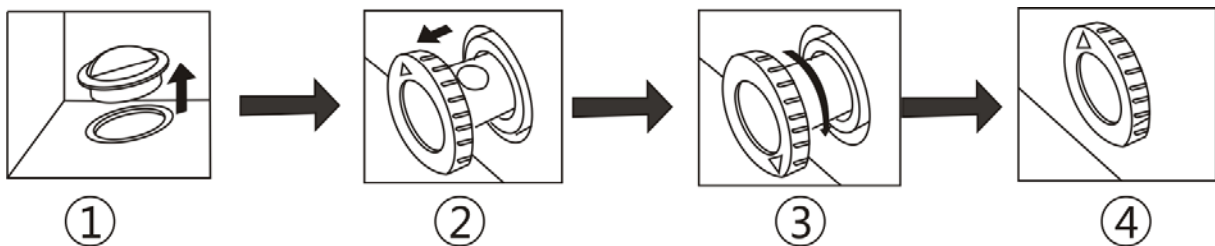
- If the unit is unplugged or loses power, please wait approximately 3 to 5 minutes before restarting the unit. If there is any attempt to restart before this time delay, the Freezer will not commence operation.
- Allow 24 hours for temperature to stabilize between adjustments. Do not keep opening and closing the door once increasing the temperature.

Indicator lights

- **Red LED** – shows that the appliance is supplied with electricity, as soon as it is connected to power, the red LED should be on all the time.
- **Green LED** – shows that the compressor is working, it will turn off after freezer reaches setting temperature and compressor will cut off.

DEFROSTING

- The freezer need manual defrost when an ice layer of around 7 mm (1/4") has formed.
- Before defrosting, please set the thermostat knob at "5" position for 6 hours at least to make sure the food is at the lowest temperature before taking it out. Food should be stored in a cool place.
- **Switch off the freezer and pull out the main plug.**
- Leave the DOOR open and remove the freezer basket. Warm water can be used to speed up the defrosting.
- **Notes: Never use sharp metal tools and it might damage the gas pipe which will avoid warranty.**
- There is a hole with plug on the bottom back of the freezer and rubber cap inside the freezer. When defrosting finishes, take out the plug and remove the rubber cap. The water can be collected from the drain hole.
- After water come out completely, put plug and cap back to original position and dry the freezer interior thoroughly.
- Switch on the Freezer and leave it on for about three hours.



Close and open the DOOR

When DOOR is closed, sometimes it is very hard to be re-opened immediately.

When DOOR is opened, the cold air that flows out is replaced by warm room air. When DOOR is closed, the warm air is sealed in the freezer, and begins to cool from room temperature to the temperature of the freezer. As the air cools, it contracts, putting the entire freezer under negative pressure.

Normally, the pressure will return to the same pressure as the room over time, as more air is drawn into the freezer through the gasket, drain tube, or other small openings, and the door will be easy to open after that process is complete. But if DOOR is re-opened immediately, the pressure difference is too great and it will not open

To easily re-open the DOOR shortly after closing it, simply grasp the flexible gasket and peel it back slightly. That will allow air to flow into the freezer, removing the pressure difference, and the DOOR will open freely.

GENERAL CARE AND MAINTENANCE

Cleaning the Freezer

- Upon installation of your new appliance, it is recommended that it be cleaned thoroughly and properly maintained thereafter.
- Turn off the Freezer and then unplug the unit from the wall outlet.
- Remove all food content before washing the inside with a damp cloth soaked in lukewarm water and baking soda solution. The solution should be about 2 tablespoons of baking soda to a litre of water.
- Be sure to keep the door gasket (seal) clean to keep the unit running efficiently as improper cleaning can cause the seal to dislodge and tear.
- The exterior of the Freezer should be cleaned with mild detergent and warm water. (door and side of the units only).
- Dry the interior and exterior with a soft cloth.
- The condenser coils should be vacuumed when they are dusty or dirty. The condenser is an internal tube, non-serviceable.
- Don't need to remove the water tray above compressor to empty water that will be evaporated by heat from compressor.

Vacation Time

- Turn off the Freezer first and then unplug the unit from the wall outlet.
- Remove all food.
- Clean the Freezer.
- Leave the DOOR open slightly to avoid possible formation of condensation, mold, or odors.
- Use extreme caution in the case of children. The unit should not be accessible to child's play.
- **Short vacations:** Leave the Freezer operating during vacations of less than three weeks.
- **Long vacations:** If the appliance will not be used for several months, remove all food and unplug the power cord. Clean and dry the interior thoroughly. To prevent odour and mold growth, leave the door open slightly: blocking it open if necessary or have the door removed.

Repositioning and Relocating the Freezer

- Turn off the Freezer first and then unplug the unit from the wall outlet.
- Remove all the food and drinks.
- Securely tape down all loose items inside your Freezer.
- Tape the doors shut.
- **Be sure the Freezer stays in the upright position during transportation.**

TROUBLESHOOTING GUIDE

Many common Freezer problems can be easily, saving you the cost of a possible service call. Try the suggestions below to see if you can solve the problem before calling for service.

PROBLEM	POSSIBLE CAUSES
Freezer does not operate.	<ul style="list-style-type: none"> ➤ Power cord isn't plugged in properly. ➤ The circuit breaker tripped or a blown fuse.
Compressor runs all the time	<ul style="list-style-type: none"> ➤ The room temperature is hotter than normal. ➤ A large amount of food has been added to the Freezer. ➤ The door is opened too often. ➤ The door is not closed completely. ➤ The temperature control is not set correctly. ➤ The door gasket does not seal properly. ➤ The Freezer does not have the correct clearances. ➤ The Freezer has recently been disconnected for a period of time. 4+ hours are required for the Freezer to cool down completely pending on operating conditions.
Temperature inside the Freezer is too warm.	<ul style="list-style-type: none"> ➤ Temperature control is set incorrectly. Turn the control to a cooler setting and allow several hours for the temperature to stabilize. ➤ Freezer control incorrectly set. Set back to mid position. ➤ Door is kept open too long or is opened too frequently. Warm air enters the Freezer every time the door is opened). Open the door less often. ➤ The door is not closed completely. ➤ The door gasket does not seal properly. ➤ A large amount of warm or hot food might have been stored recently. Wait until the Freezer has had a chance to reach its selected temperature. ➤ The Freezer has recently been disconnected for a period of time. 4 hours is required for the Freezer to cool down completely.
Temperature inside the Freezer is too cold.	<ul style="list-style-type: none"> ➤ Freezer control incorrectly set. Set back to mid position. ➤ Temperature control is set too cold. Turn the control to a warmer setting and allow several hours for the temperature to stabilize.
Temperature of external surface is warm.	<ul style="list-style-type: none"> ➤ The exterior Freezer walls can be as much as 30°F warmer than room temperature. This is normal while the compressor works to transfer heat from inside the Freezer cabinet.
Popping or cracking sound when compressor comes on.	<ul style="list-style-type: none"> ➤ Metal parts undergo expansion and contraction, as in hot water pipes. This is normal. Sound will level off or disappear as Freezer continues to run.

Bubbling or gurgling sound, like water boiling.	➤ Refrigerant (used to cool Freezer) is circulating throughout the system. This is normal operation.
Vibrations.	<ul style="list-style-type: none"> ➤ Check the Freezer is on a level/even surface. ➤ Floor is uneven or weak. Freezer rocks on the floor when it is moved slightly. Be sure floor can adequately support Freezer. ➤ Level the Freezer by putting wood or metal shims under part of the Freezer. ➤ The Freezer is touching the wall. Re-level the Freezer and move it from the wall. See "Installation Instructions".
Moisture forms on inside Freezer walls.	<ul style="list-style-type: none"> ➤ Weather is hot and humid, which increases internal rate of frost build-up. This is normal. ➤ Door is slightly open. ➤ Door is kept open too long, or is opened too frequently. Open the door less often. ➤ The door is not sealed properly.
Moisture forms on outside of Freezer.	➤ Door is slightly open, causing cold air from inside the Freezer to meet warm moist air from the outside.
The doors will not close properly.	<ul style="list-style-type: none"> ➤ The Freezer is not on a level surface. ➤ The gasket/s may be dirty or not properly maintained. Clean the seals and make sure they are dry before closing the door/s. ➤ The storage basket and/or shelves are out of position.

For any enquiries, please call the CHIQ Customer care on: 1300 796 688.